



# AEROCOMPACT®

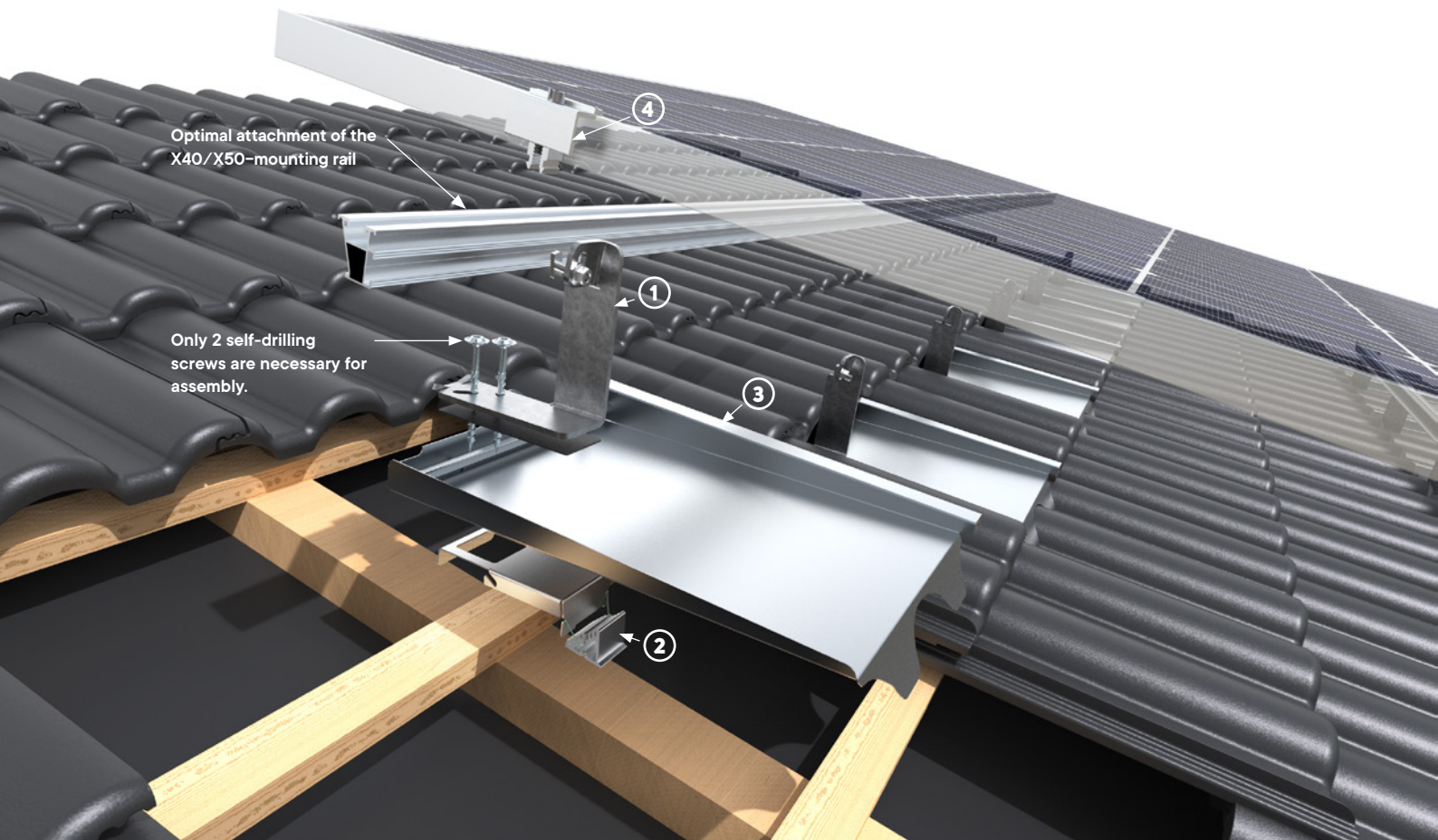
## COMPACTPITCH XM-P

The XM-P roof hook system offers effortless installation of photovoltaic systems on tiled roofs. AEROCOMPACT®'s XM-P sheet metal replacement tile eliminates several steps in preparation and installation. It is flexible, fast and saves a lot of time. It greatly speeds up the installation of PV systems. The innovative concept impresses with its flexible and stable components. The design from the ground up prevents chafing between the hook and the sheet metal tile.

- CAN BE USED FOR ALL ROOF BATTEN SIZES
- EXTREMELY HIGH LOAD CAPACITY
- EVERYTHING FROM A SINGLE SOURCE
- NO PREPARATION OF THE ROOF TILES REQUIRED
- 25-YEAR PRODUCT WARRANTY
- OPTIMAL ROOF INTEGRATION







Optimal attachment of the X40/X50-mounting rail

Only 2 self-drilling screws are necessary for assembly.

## THE CHALLENGE

With commercially available solutions for mounting roof hooks, tiles must be painstakingly machined and prepared on the roof with the help of angle grinders. Due to high forces caused by snow and wind, contact may occur between the tile and the roof hook. Broken tiles and consequential damage to the roof structure are often the result.

## THE SOLUTION

### 1 Heavy-duty bracket for all XM-P metal tiles

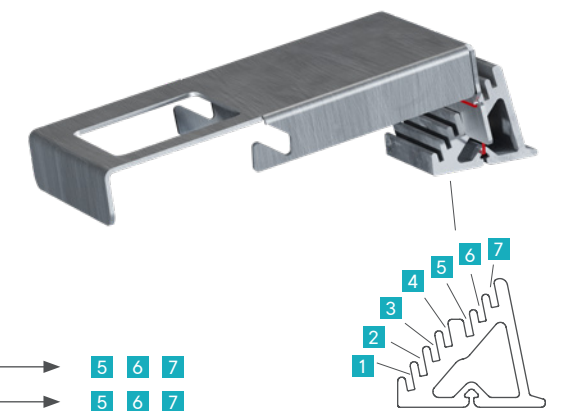
The sturdy roof hook is made of stainless steel and enables enormously high snow loads due to its innovative design. The installation is very simple. It is easily fastened with wood screws through the non-rusting metal roof tile into the rafters below. The X40/X50-mounting rails can be connected to the roof hook with ease.

The design also allows the hook to slide on the roof tile, which greatly facilitates optimal positioning over the rafters.



### 2 Support socket for all XM-P metal tiles

The loads of the roof hook are transferred to the rafter via the supplied support socket. No tools are needed with the „staircase serration“ to adjust the support socket to the height of the roof batten. The load is applied to the substructure in the most direct way possible, thus ensuring maximum stability.



Roof battens (width \* height)

Height < 30 mm → 1

50 \* 30 mm → 2 3 4

60 \* 40 mm → 5 6 7

50 \* 40 mm → 5 6 7

### 3 Metal tiles

The basis of the system consists of several types of roof tiles. With its flexible design, the system can therefore be used for any roof structure. An aluminum roof tile is available for almost all standard roof tiles. Precise manufacturing provides a high accuracy of fit and promises an exact match with the adjacent roof tiles.



XM-P026 Tondach Biberfalz    XM-P095 Nelskamp Nibra F10 Süd    XM-P025 Braas Tegalit    XM-P003 Braas Frankfurter    XM-P102 Braas Rubin 15 V    XM-P110 Nelskamp F12 Ü - Süd    XM-P047 Tondach Mulde

Matchcode	Tile type	Matchcode	Tile type
XM-P003	Braas Frankfurter	XM-P102	Braas Rubin 15 V
XM-P009	Nelskamp Finkenberger	XM-P108	Braas Rubin 13 V
XM-P011	Braas Taunus	XM-P109	Braas Donau
XM-P016	Braas Harzer 7 (Big)	XM-P110	Nelskamp F 12 Ü - Süd
XM-P022	Braas Harzer	XM-P119	Nelskamp Nibra F8 1/2
XM-P023	Braas Frankfurter Big	XM-P126	ZZ Wancor Arteso
XM-P025	Braas Tegalit	XM-P127	Istighofener LEC
XM-P026	Tondach Biberfalz	XM-P136	ZZ Wancor Vauban Falzbiber
XM-P047	Tondach Mulde	XM-P142	Wienerberger Flachdach A11
XM-P095	Nelskamp Nibra F10 Ü	XM-P147	Bramac Donau
XM-P100	Nelskamp Reform R13 S		

Other tile types possible after consultation.

### 4 Click clamp

The PV modules can be attached to the X40/X50-mounting rail using the click clamp with integrated grounding pins. The system-wide universal clamp is height-adjustable between 30 – 46 mm and can be conveniently clicked into place.



# AEROCOMPACT®

- **SIMPLE AND FAST ASSEMBLY**
- **HIGHEST STABILITY**
- **INTEGRATED IN THE MODULAR SYSTEM**
- **FOR ALMOST ALL COMMERCIALY AVAILABLE TILES**
- **CLICK CLAMP WITH GROUNDING PINS**
- **CROSS CONNECTION POSSIBLE**

Description	Installation of PV modules on tiled roofs with standard roof tiles. The sheet metal replacement tile eliminates several steps in preparation and installation.
Installation friendly	Simple and quick installation; variably positionable roof hook; fix to the rafter with only 2 self-drilling screws
Module dimensions	Framed modules in all common sizes; frame height 30 - 46 mm; portrait or landscape format; Clamps for frameless modules on request
Row spacing	no elevation; no row spacing
On-site requirements	Sufficient static load-bearing capacity of the roof structure and the building supporting structure must be ensured. The general terms and conditions of business and warranty as well as the user agreement apply.

AEROCOMPACT® Europe GmbH | Gewerbestraße 14 | 6822 Satteins, Österreich

T: +43 5524 22 566 | E: office@aerocompact.com

[aerocompact.com](http://aerocompact.com)

