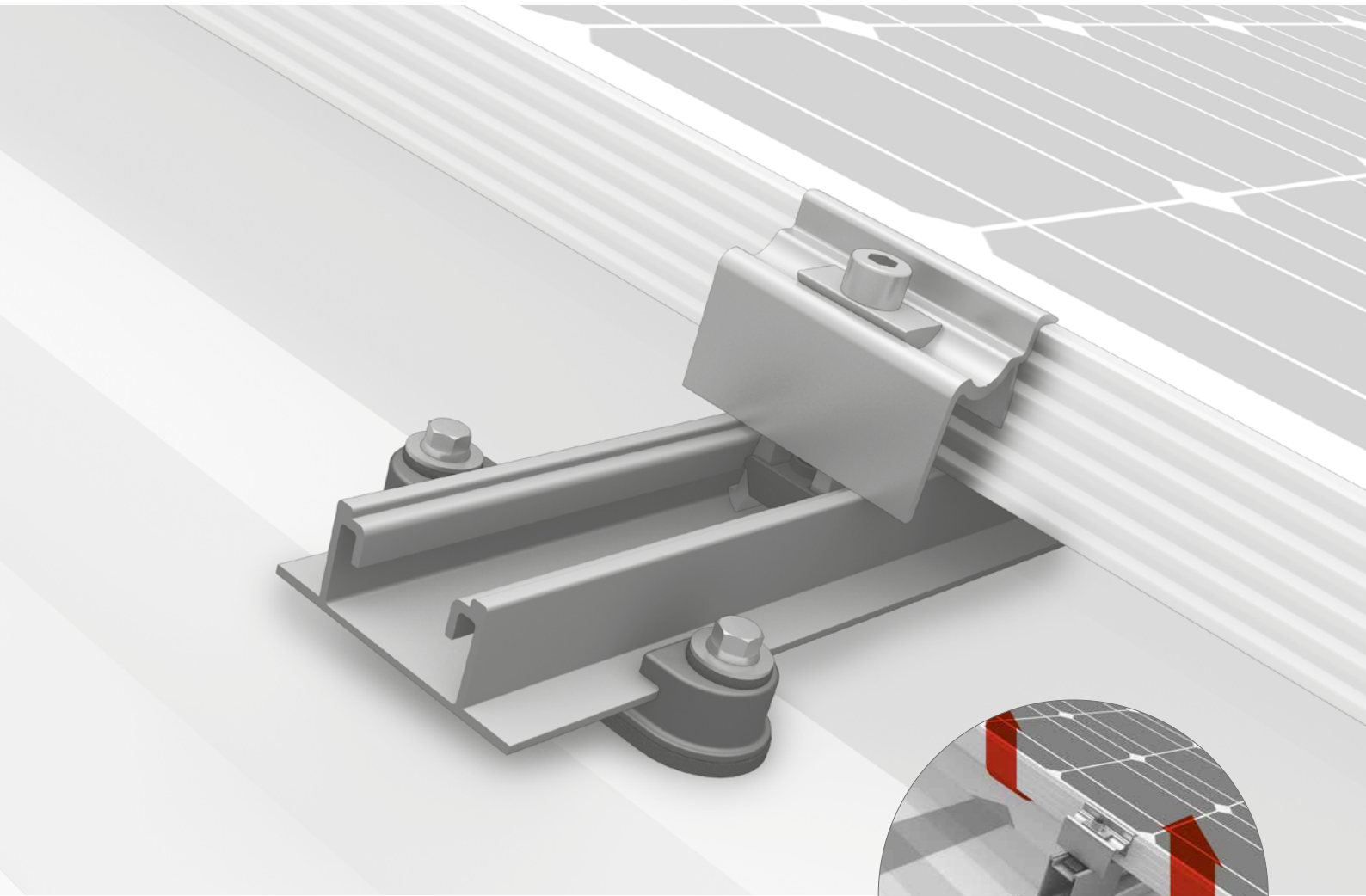




SpeedRail System

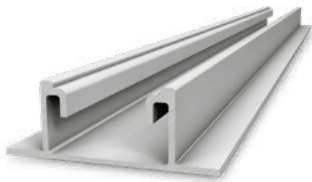


- / The proven long rail system for trapezoidal sheet applications as well as floating suspension with controlled thermal linear expansion
- / Our most popular system – over 3 GW installed worldwide
- / All-rounder with only 4 installation steps – also suitable for high loads



Optionally with RailUp

Components



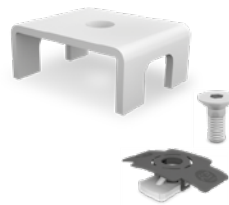
SpeedRail

- / Mounting rail with easy insertion mounting into SpeedClips
- / Various lengths available



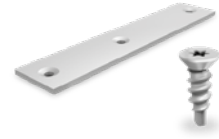
SpeedClip

- / Mounting brackets for SpeedRail
- / Simple insertion feature
- / Glass fibre reinforced polyamide with EPDM seals
- / Fastened with self-drilling screws for trapezoidal sheet metal



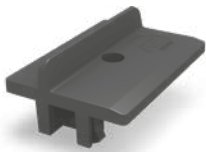
SpeedLock

- / Mounting lock for SpeedRail in case of thermal expansion
- / In a set with MK2 slot nut and stainless steel screw



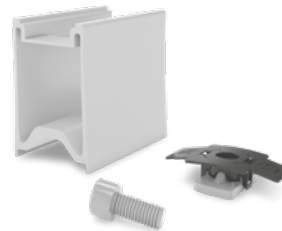
SpeedConnector

- / Rail connector for SpeedRail
- / Three boreholes for flexible mounting
- / In a set with countersunk screws



AddOn

- / For grid mounting with horizontal modules
- / Seamless module blocks and no second rail layer



RailUp Set

- / Improves rear ventilation of the modules
- / Easier installation of micro inverters

Technical data

| SpeedRail / SpeedClip | |
|--------------------------------------|--|
| Scope of application | Trapezoidal sheet roof |
| Fastening type / roof fixture | Insertion mounting into SpeedClips and screws in the roofing |
| Requirements | <ul style="list-style-type: none"> ▪ Sheet thickness: ≥ 0.4 mm steel or ≥ 0.5 mm aluminium ▪ Sandwich panel: Approval from manufacturer required ▪ Crest width: At least 22 mm ▪ Flush area surrounding the bore hole: $\varnothing \geq 20$ mm |
| Material | <ul style="list-style-type: none"> ▪ SpeedRail: Aluminium [EN AW-6063 T66; 0.64 kg/m] ▪ SpeedClip: Glass fibre reinforced polyamide with EPDM |
| SpeedRail dimensions | |
| W = width [mm] | 63 |
| H = height [mm] | 22.5 |
| L = lengths [m] | 2.25 / 3.30 / 4.40 / 5.50 m |
| SpeedClip dimensions | See drawing |
| Second rail layer | SingleRail or SolidRail |

